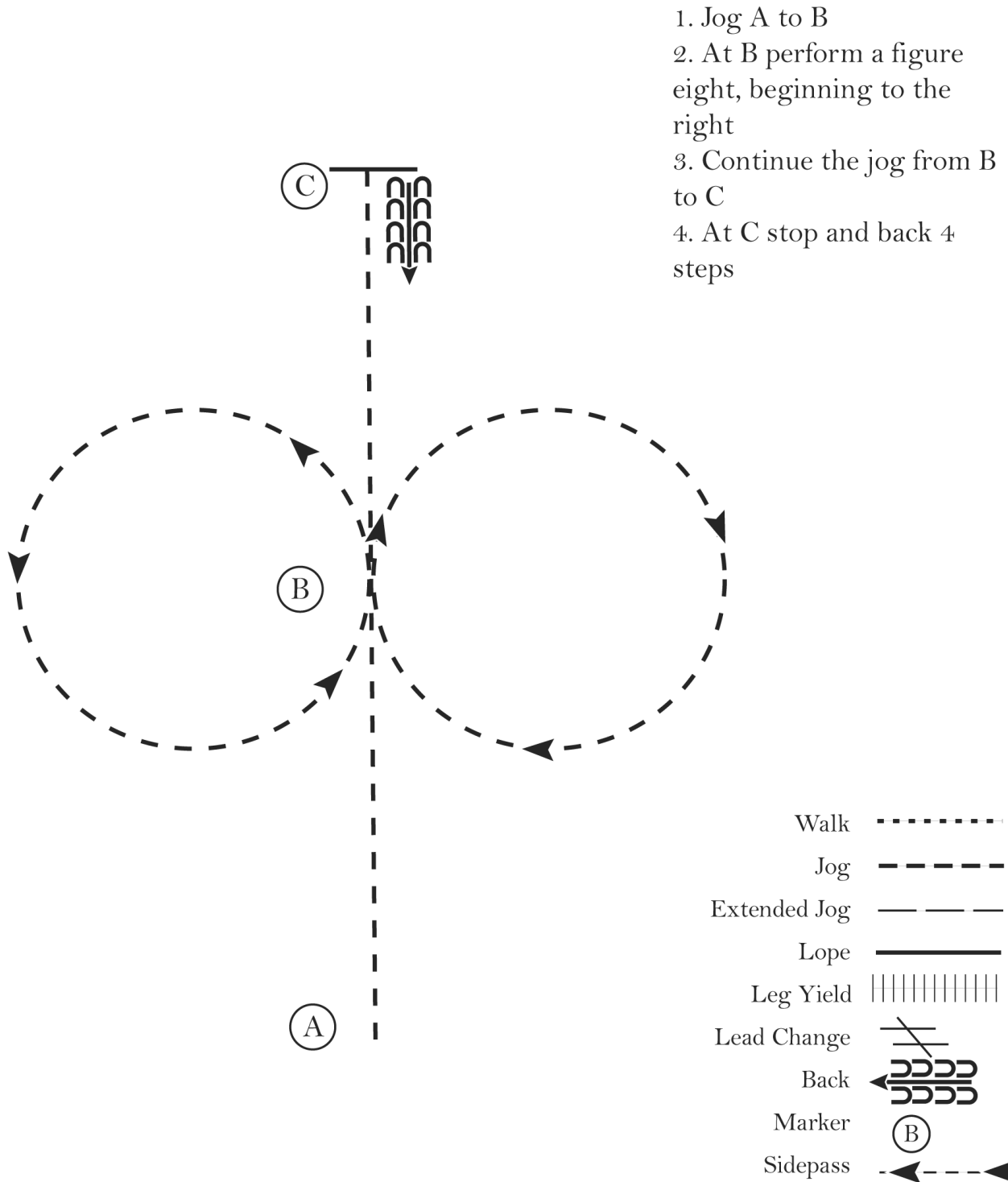


Latigo Winter Buckle Series

Horsemanship (All Walk/Trot)

Show Date: 12-01-2018



[WH/WT-5]

Pattern Provided by:

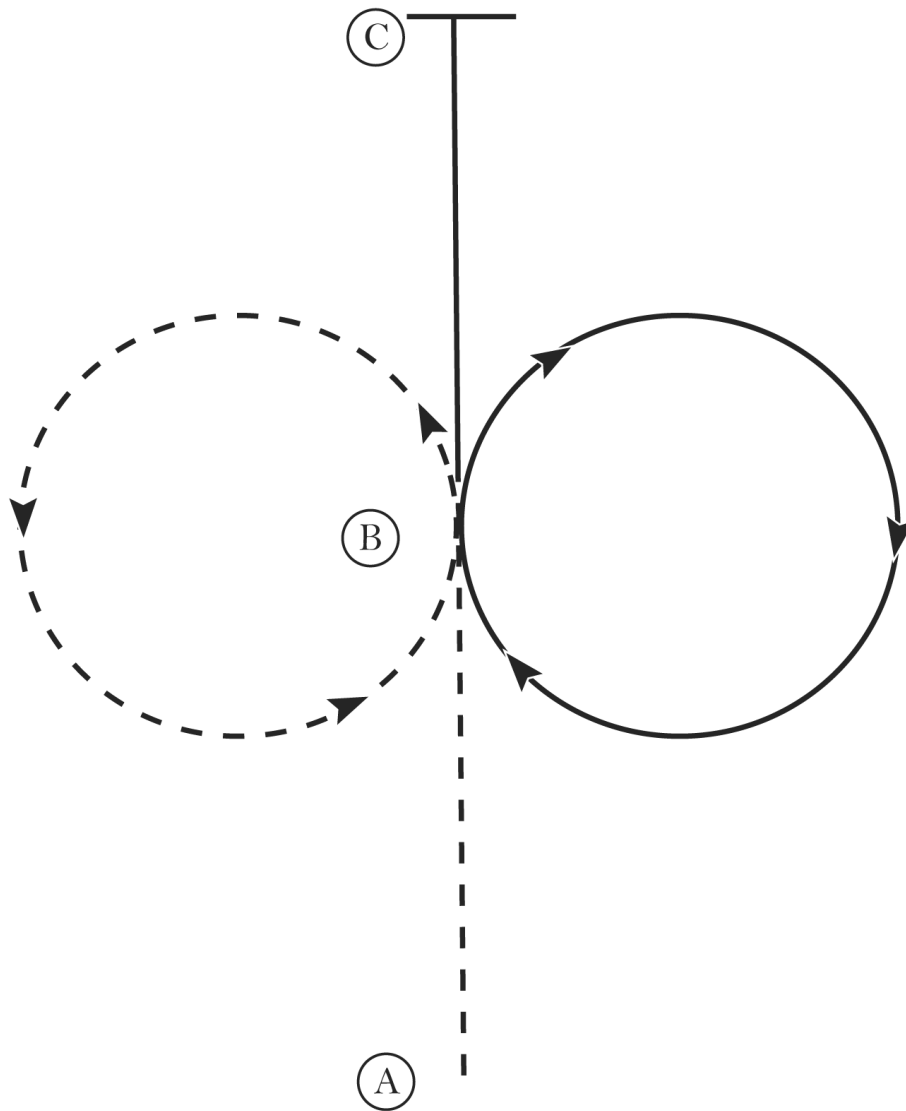
Amy Decker ~ Pueblo West, CO

Latigo Winter Buckle Series

Horsemanship (All Novice)

Show Date: 12-01-2018

1. Jog A to B
2. At B jog a circle to the left
3. At B lope a circle to the right on the right lead
4. Continue the lope to C
5. At C stop



Walk
Jog	-----
Extended Jog	-----
Lope	—————
Leg Yield	
Lead Change	↘
Back	←←←←← ←←←←←
Marker	(B)
Sidepass	←-----←

[WH/1-9]

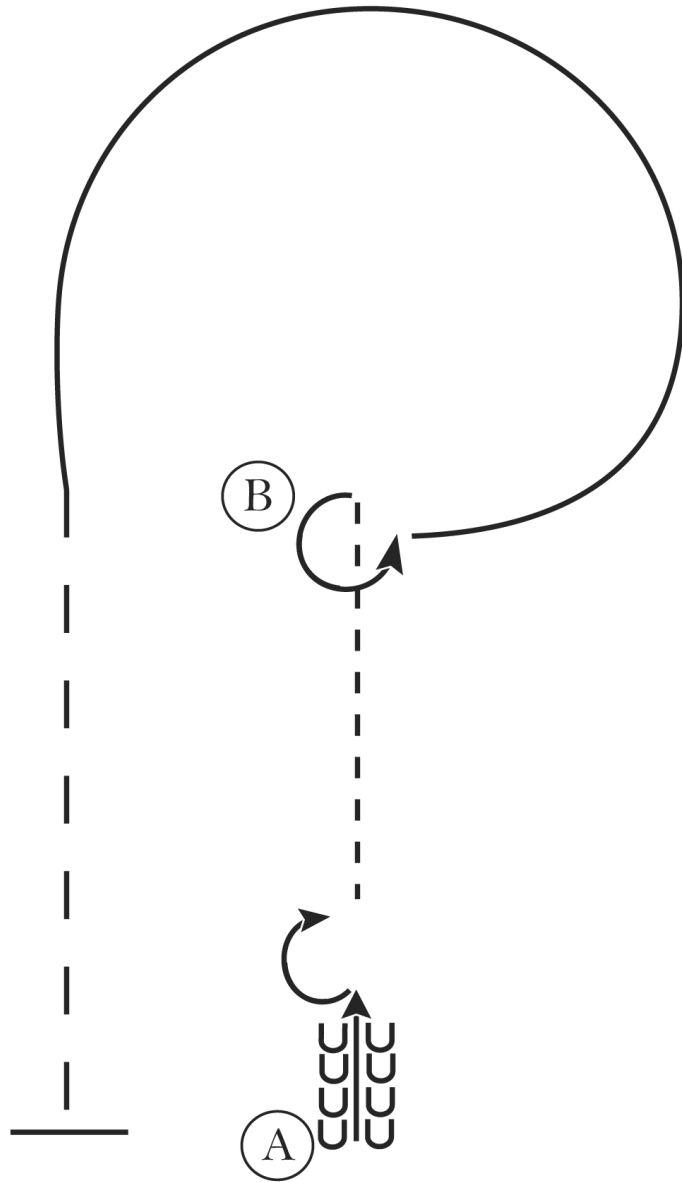
Pattern Provided by:

Amy Decker ~ Pueblo West, CO

Latigo Winter Buckle Series

Horsemanship (13 & Under, 14-18, 19-39, 40 & Over)

Show Date: 12-01-2018



1. Back 4 steps at A.
2. Perform a 180 degree turn to the right.
3. Jog to B.
4. At B perform a 270 degree turn to the left .
5. Lope a circle around B on the left lead.
6. At B extend the jog to A.
7. At A stop.

Walk
Jog	-----
Extended Jog	-----
Lope	—————
Leg Yield	
Lead Change	↙↘
Back	←←←← →→→→
Marker	Ⓚ
Sidepass	←←←←

[WH/2-8]

Pattern Provided by:

Amy Decker ~ Pueblo West, CO

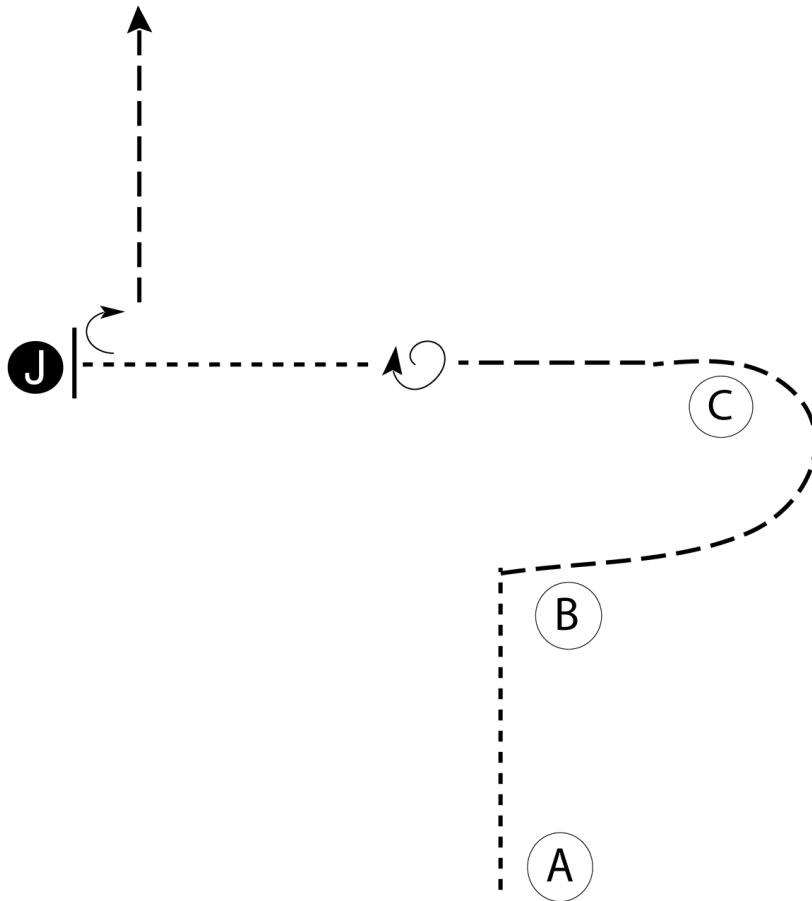
www.HorseShowPatterns.com

www.HorseShowPatterns.com

Latigo Winter Buckle Series

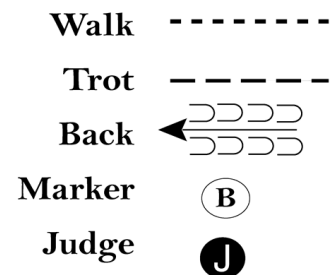
Showmanship (14-18, 19-39, 40 & Over)

Show Date: 12-01-2018



Be ready at A.

1. Walk to B.
2. Trot from B and around C as shown.
3. Halfway between C and the judge, stop and do a 360 degree turn.
4. Walk to judge and set up for inspection.
5. When dismissed, do a 90 degree turn and trot away.



[S/2-21]

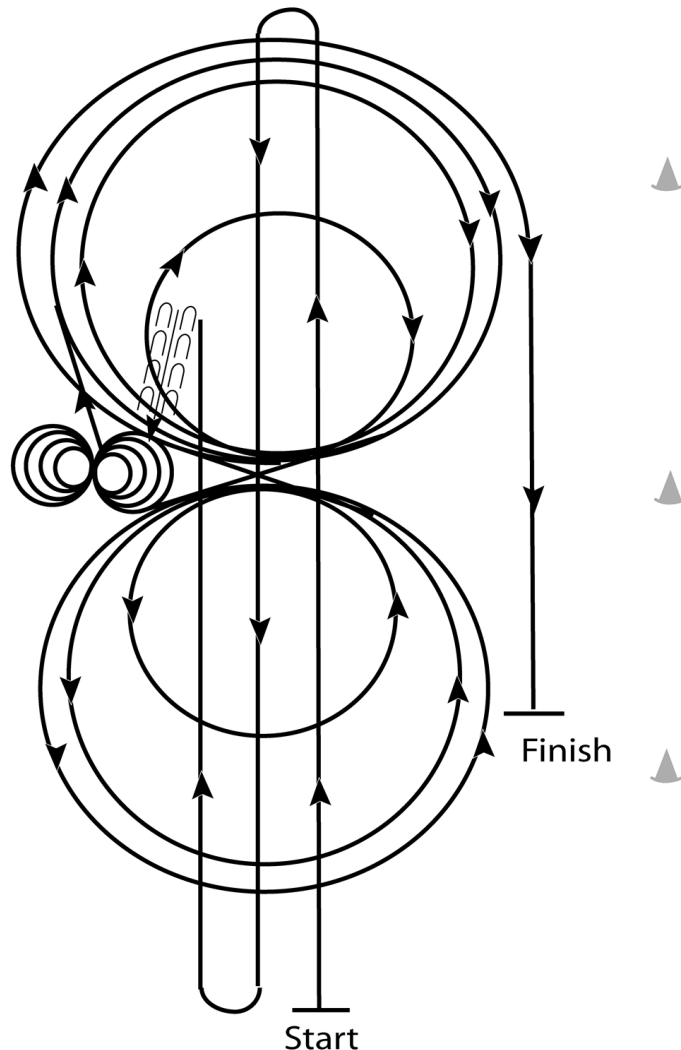
Pattern Provided by:

Amy Decker ~ Pueblo West, CO

Latigo Winter Buckle Series

Reining (All Reining)

Show Date: 12-01-2018



1. Run at speed to the far end of the arena past the end marker and do a left rollback – no hesitation.
2. Run to the opposite end of the arena past the end marker and do a right rollback – no hesitation.
3. Run past the center marker and do a sliding stop. Back up to the center of the arena at least ten feet (3m). Hesitate.
4. Complete four spins to the right.
5. Complete four and one-quarter spins to the left so that horse is facing left wall or fence. Hesitate.
6. Beginning on the right lead, complete three circles to the right: the first two circles large and fast; the third circle small and slow. Change leads at the center of the arena.
7. Complete three circles to the left: the first two circles large and fast; the third circle small and slow. Change leads at the center of the arena.
8. Begin a large fast circle to the right but do not close this circle. Run straight down the right side of the arena past the center marker and do a sliding stop at least twenty feet (6.09m) from the wall or fence. Hesitate to demonstrate completion of the pattern.
Rider may drop bridle to the designated judge.

[R/AQHAP-7]

Pattern Provided by:

Amy Decker ~ Pueblo West, CO

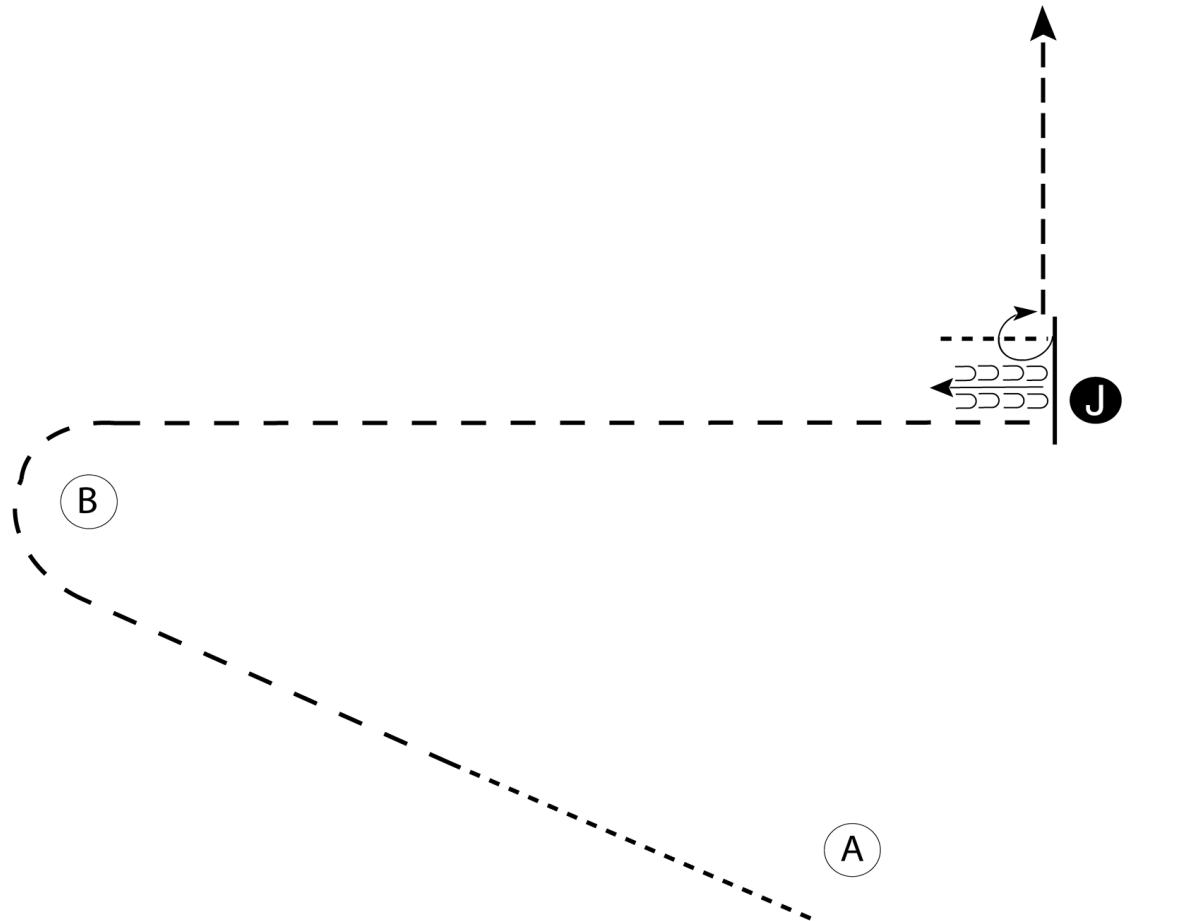
Latigo Winter Buckle Series

Showmanship (All Walk/Trot, All Novice, 13 & Under)

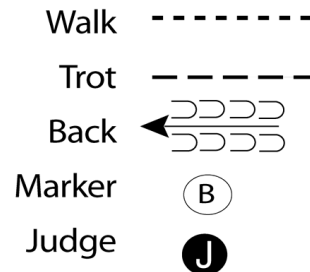
Show Date: 12-01-2018

w w w . H o r s e S h o w P a t t e r n s . c o m

w w w . H o r s e S h o w P a t t e r n s . c o m



1. Begin at A. Walk halfway to B
2. Trot to and around B to the Judge
3. Stop and back one horse length
4. Walk to the Judge and set up for inspection
5. When dismissed perform a 270 degree turn and trot to the line-up



[S/1-15]

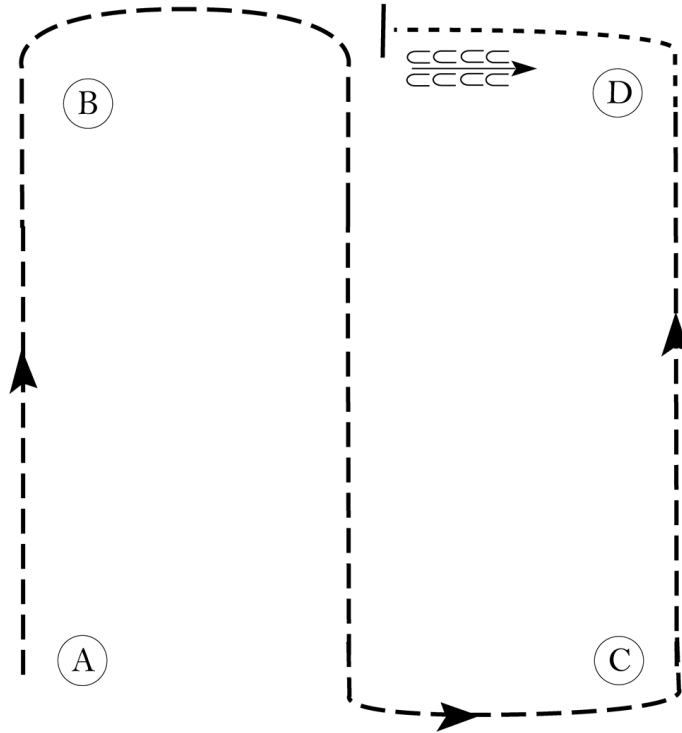
Pattern Provided by:

Amy Decker ~ Pueblo West, CO

Latigo Winter Buckle Series

Hunt Seat Equitation (All Walk/Trot)

Show Date: 12-01-2018



Be ready at A.

1. Posting trot to and around B on the left diagonal.
2. Halfway between B and C, change diagonals.
3. Posting trot on the right diagonal to and around C.
4. Continue to trot to D.
5. At D, walk.
6. Walk until halfway to B, stop and back one horse length.

Walk	-----
Trot	- - - - -
Extended Trot	— — — — —
Canter	—————
Leg Yield	
Lead Change	— / —
Back	← ← ← ← ←
Marker	Ⓚ
Sidepass	← — — — — ←
Hand Gallop	— — — — —

[HSE/WT-25]

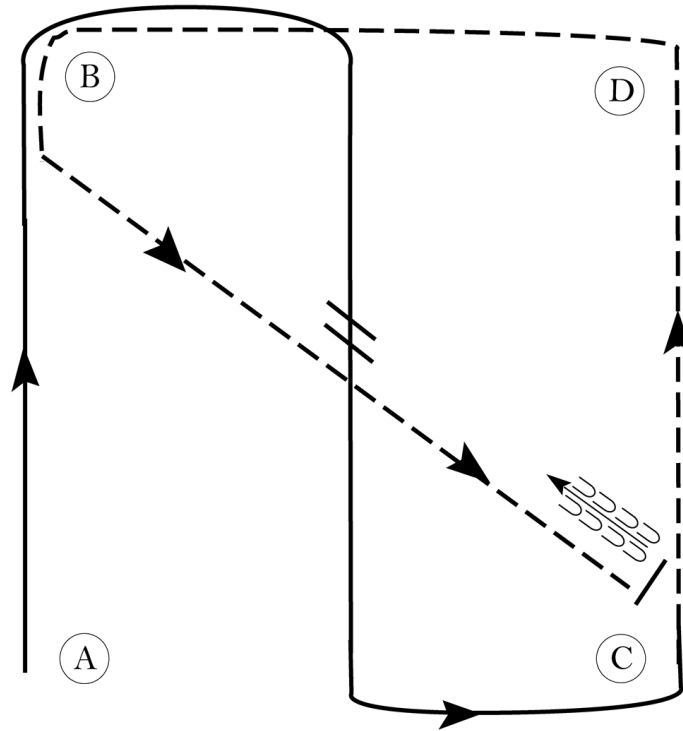
Pattern Provided by:

Amy Decker ~ Pueblo West, CO

Latigo Winter Buckle Series

Hunt Seat Equitation (14-18, 19-39, 40 & Over)

Show Date: 12-01-2018



Be ready at A.

1. Canter on the right lead to and around B.
2. Halfway between B and C, change leads.
3. Canter on left lead to and around C.
4. Posting trot on the left diagonal from C to D.
5. At D, change diagonals and continue to trot to B.
6. At B, sitting trot to C.
7. Stop and back one horse length at C.

Walk	-----
Trot	- - - - -
Extended Trot	— — — —
Canter	—————
Leg Yield	
Lead Change	— / —
Back	← ← ←
Marker	ⓑ
Sidepass	← — — — ←
Hand Gallop	— — — —

[HSE/2-25]

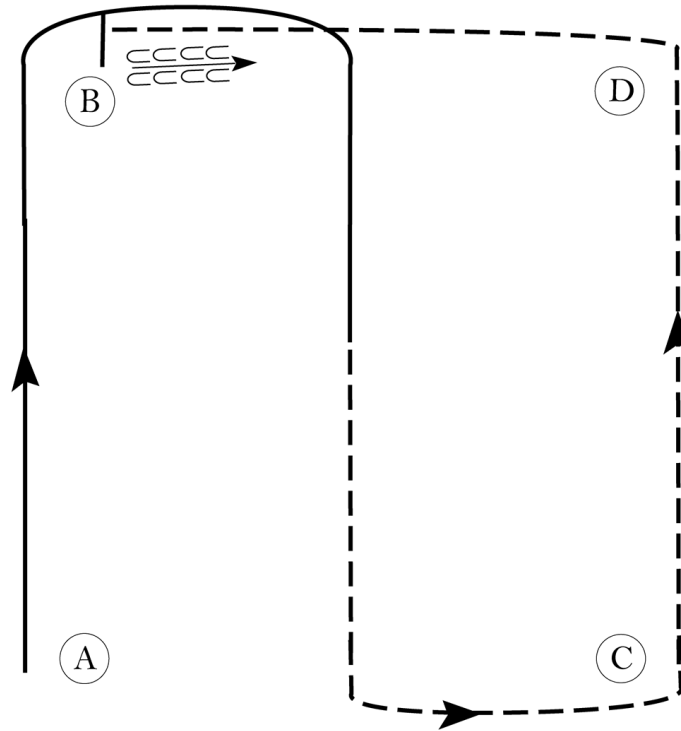
Pattern Provided by:

Amy Decker ~ Pueblo West, CO

Latigo Winter Buckle Series

Hunt Seat Equitation (All Novice, 13 & Under)

Show Date: 12-01-2018



Be ready at A.

1. Canter on the right lead to and around B.
2. Halfway between B and C, break to the trot.
3. Posting trot on the right diagonal to C.
5. At C, change diagonals and continue to trot to D.
6. At D, sitting trot to B.
7. At B, stop and back one horse length.

Walk	-----
Trot	- - - - -
Extended Trot	— — — — —
Canter	— — — — —
Leg Yield	
Lead Change	— / —
Back	← ← ← ← ←
Marker	(B)
Sidepass	← — — — — ←
Hand Gallop	— — — — —

[HSE/1-25]

Pattern Provided by:

Amy Decker ~ Pueblo West, CO

w w w . H o r s e S h o w P a t t e r n s . c o m

w w w . H o r s e S h o w P a t t e r n s . c o m