

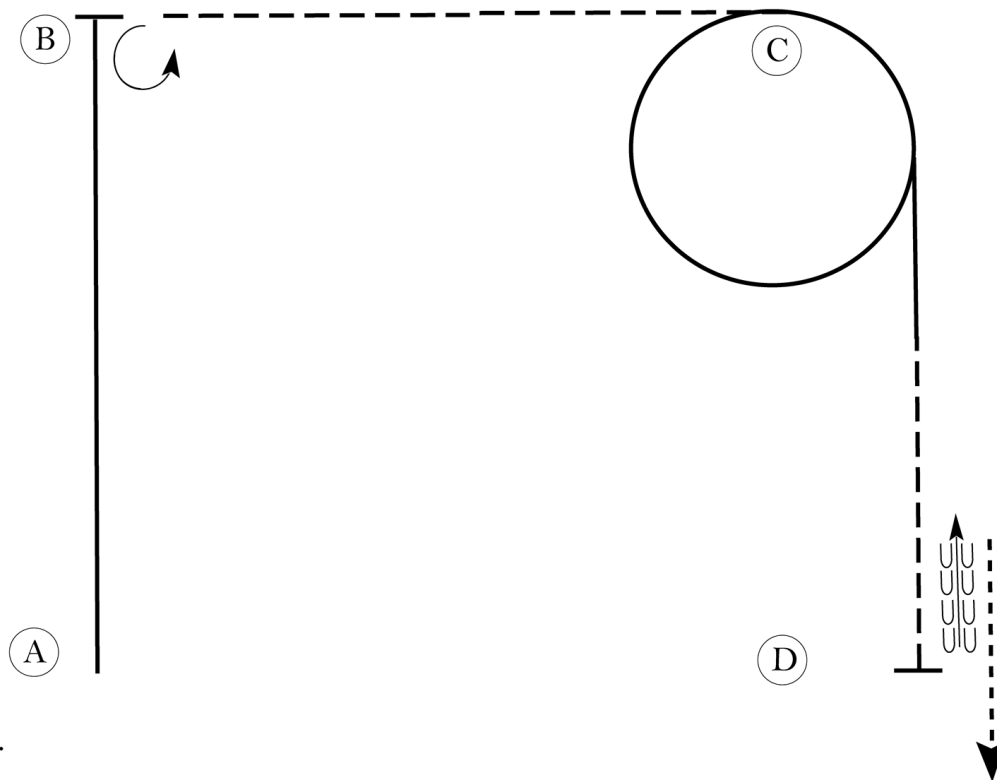
PHCO World Show Warm Up

Hunt Seat Equitation (279 280 281 282 283 286 287 288)

Show Date: 05/08-10/2026

www.HorseShowPatterns.com

www.HorseShowPatterns.com



Be ready at A.

1. Canter on the left lead to B.
2. Stop at B and execute a 270 degree turn on the haunches to the left.
3. Posting trot on the right diagonal to C.
4. Canter on the right lead in a circle around C.
5. Continue on the right lead halfway to D.
6. Posting trot on the left diagonal to D.
7. Stop at D and back approximately one horse length.
8. Walk forward to and past D.

Follow the instructions of your ring steward.

Walk	-----
Trot	- - - - -
Extended Trot	— — — — —
Canter	—————
Leg Yield	
Lead Change	↙ ↘
Back	← ← ← ← ←
Marker	⊙
Sidepass	← — — — — →
Hand Gallop	— — — — —

[HSE/2-43]

Pattern Provided by:

Judge(s)

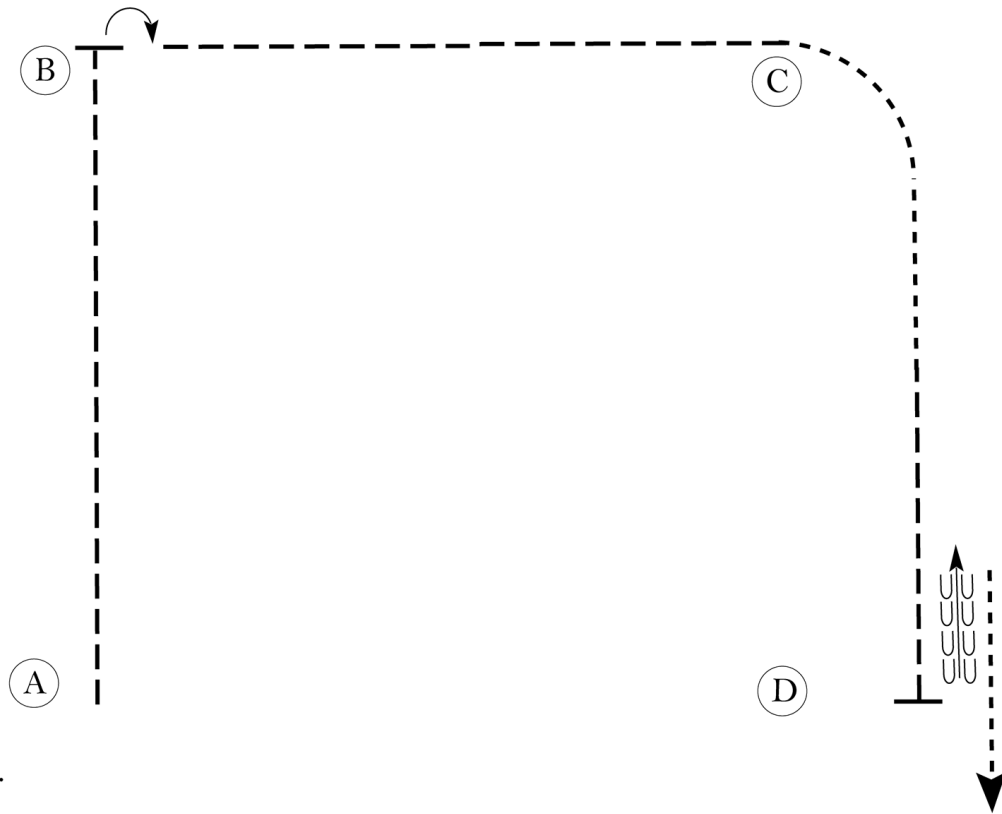
PHCO World Show Warm Up

Hunt Seat Equitation (274 275 276 277 278)

Show Date: 05/08-10/2026

w w w . H o r s e S h o w P a t t e r n s . c o m

w w w . H o r s e S h o w P a t t e r n s . c o m



Be ready at A.

1. Posting trot on the left diagonal to B.
2. Stop at B and execute a 90 degree turn on the haunches to the right.
3. Posting trot on the right diagonal to C.
4. At C, drop to a walk and walk halfway to D.
5. Sitting trot to D.
6. Stop at D and back approximately one horse length.
7. Walk forward to and past D.

Follow the instructions of your ring steward.

Walk	-----
Trot	- - - - -
Extended Trot	— — — — —
Canter	—————
Leg Yield	
Lead Change	↘ ↙
Back	← ← ← ← ←
Marker	⊙
Sidepass	← — — — — →
Hand Gallop	— — — — —

[HSE/WT-43]

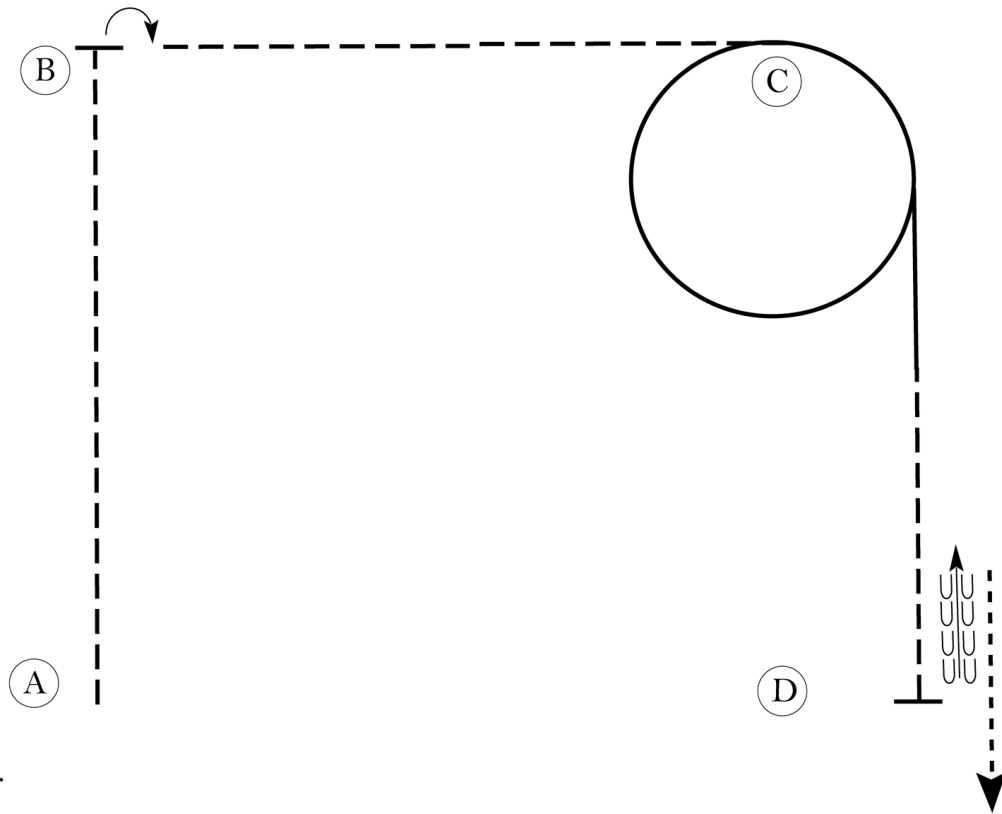
Pattern Provided by:

Judge(s)

PHCO World Show Warm Up

Hunt Seat Equitation (284 285)

Show Date: 05/08-10/2026



Be ready at A.

1. Sitting trot to B.
2. Stop at B and execute a 90 degree turn on the haunches to the right.
3. Posting trot on the right diagonal to C.
4. Canter on the right lead in a circle around C.
5. Continue on the right lead halfway to D.
6. Posting trot on the left diagonal to D.
7. Stop at D and back approximately one horse length.
8. Walk forward to and past D.

Follow the instructions of your ring steward.

Walk	-----
Trot	- - - - -
Extended Trot	— — — — —
Canter	—————
Leg Yield	
Lead Change	↙ ↘
Back	← ← ← ← ←
Marker	⊙
Sidepass	← — — — — →
Hand Gallop	— — — — —

[HSE/1-43]

Pattern Provided by:

Judge(s)

W W W . H O R S E S H O W P A T T E R N S . C O M

W W W . H O R S E S H O W P A T T E R N S . C O M

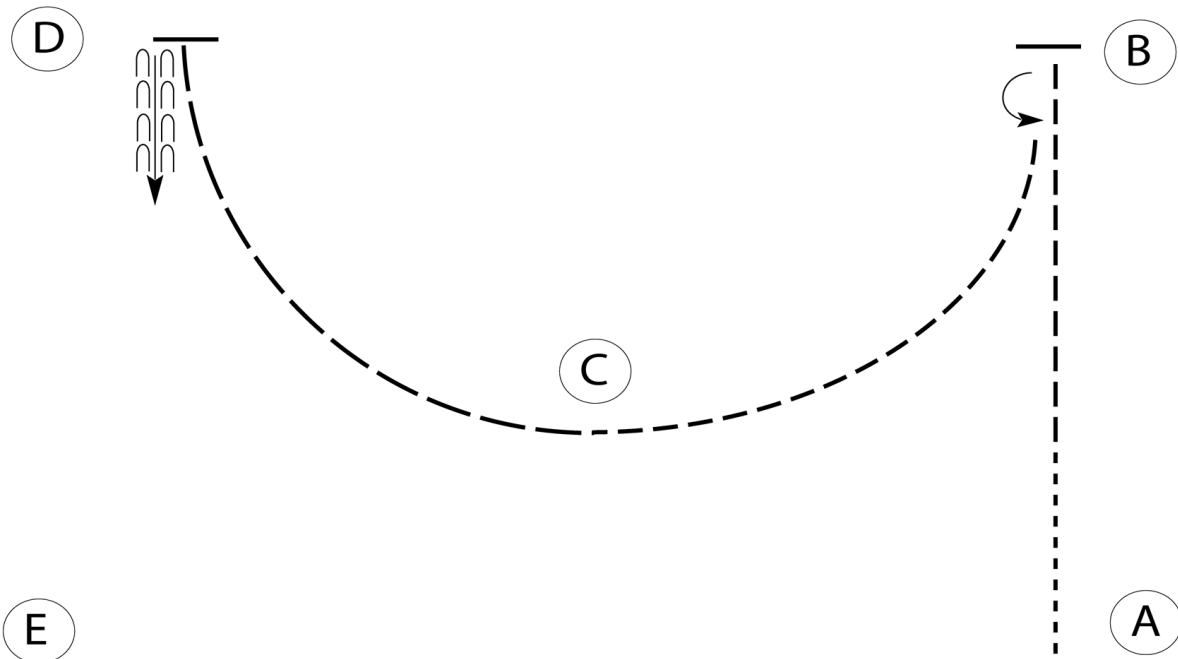
PHCO World Show Warm Up

Western Horsemanship (128 129 130 131 132)

Show Date: 05/08-10/2026

w w w . H o r s e S h o w P a t t e r n s . c o m

w w w . H o r s e S h o w P a t t e r n s . c o m



Be ready at A.

1. Walk approximately two strides from A.
2. Jog to B.
3. Stop and perform a 180 degree turn to the left.
4. Jog a half circle to C.
5. Extend the jog to D.
6. Stop at D and back approximately one horse length.

Follow the instructions of your ring steward.

Walk
Jog	-----
Extended Jog	- - - - -
Lope	—————
Leg Yield	
Lead Change	— / —
Back	← ← ← ← ←
Marker	ⓑ
Sidepass	← — — — — →

[WH/WT-74]

Pattern Provided by:

Judge(s)

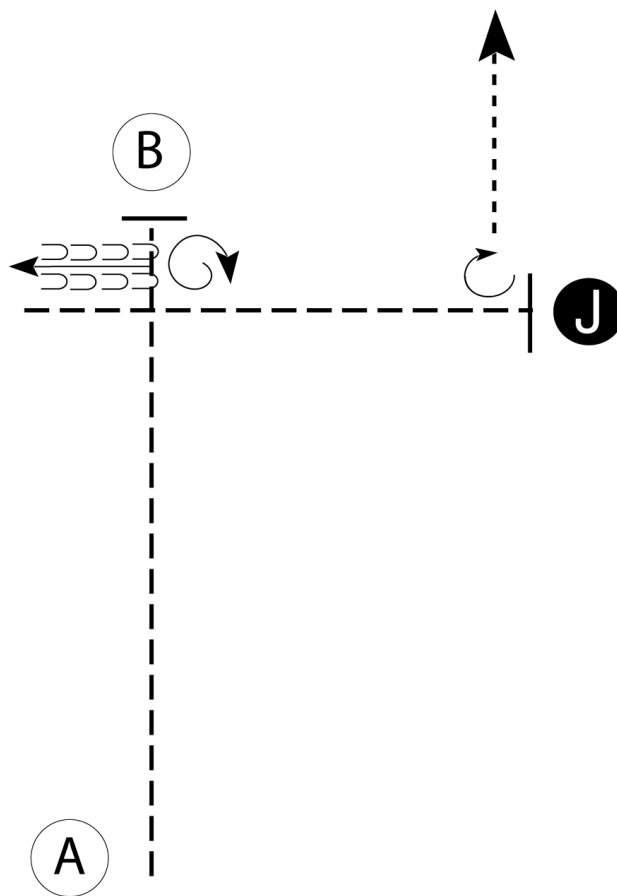
PHCO World Show Warm Up

Showmanship (235 236 237 238 239 240 241 242)

Show Date: 05/08-10/2026

w w w . H o r s e S h o w P a t t e r n s . c o m

w w w . H o r s e S h o w P a t t e r n s . c o m



Be ready at A.

1. Trot to B.
2. Stop and perform a 1 1/4 turn.
3. Back approximately one horse length.
4. Trot to judge.
5. Stop and set up for inspection.
6. When dismissed, perform a 3/4 turn and walk straight away from judge.

Follow the instructions of your ring steward.

Walk	-----
Trot	- - - - -
Back	←
Marker	Ⓟ
Judge	Ⓝ

[S/3-52]

Pattern Provided by:
Judge(s)

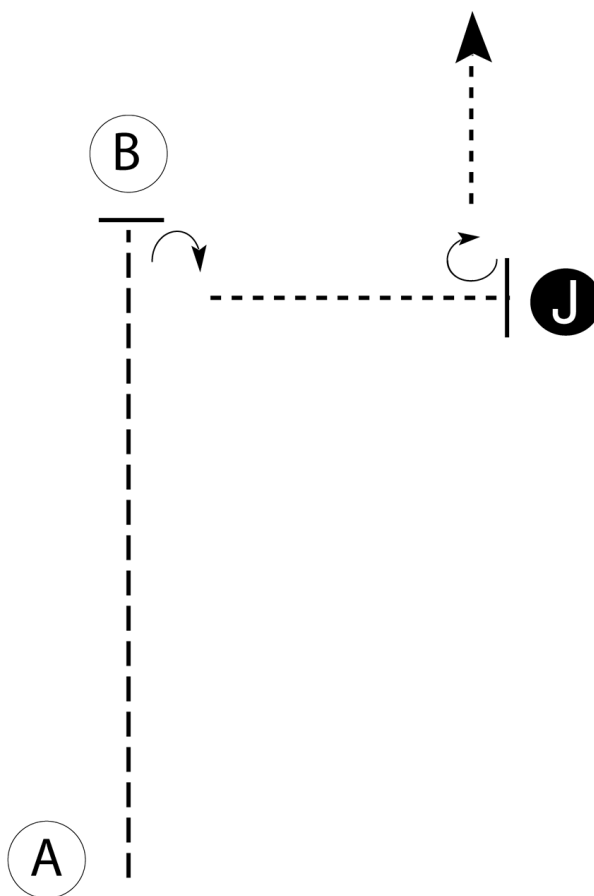
PHCO World Show Warm Up

Showmanship (245 246 248 249 247-Walk Only)

Show Date: 05/08-10/2026

w w w . H o r s e S h o w P a t t e r n s . c o m

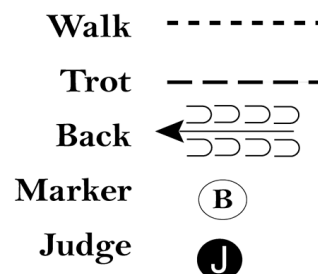
w w w . H o r s e S h o w P a t t e r n s . c o m



Be ready at A.

1. Trot to B.
2. Stop and perform a 1/4 turn.
3. Walk to judge.
4. Stop and set up for inspection.
5. When dismissed, perform a 3/4 turn and walk straight away from judge.

Follow the instructions of your ring steward.



[S/1-52]

Pattern Provided by:

Judge(s)

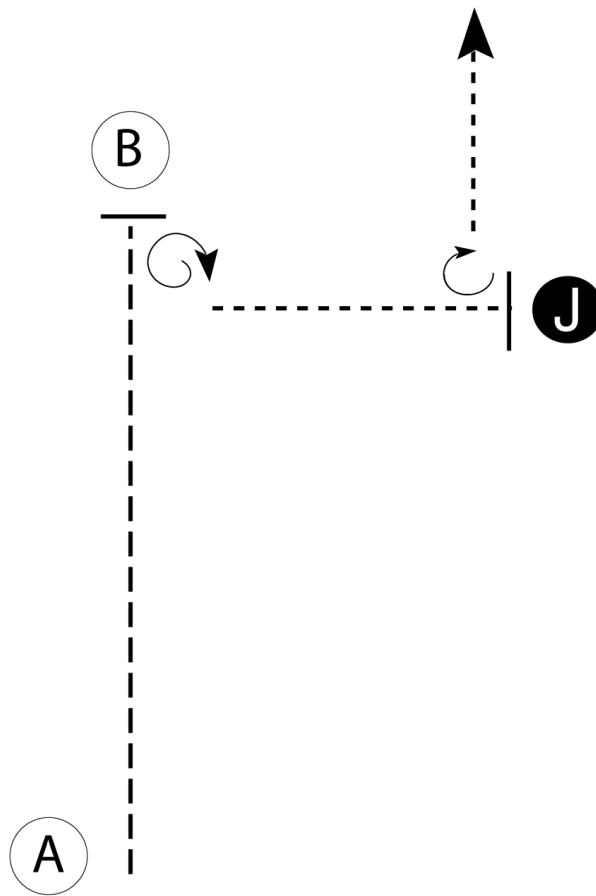
PHCO World Show Warm Up

Showmanship (243 244)

Show Date: 05/08-10/2026

w w w . H o r s e S h o w P a t t e r n s . c o m

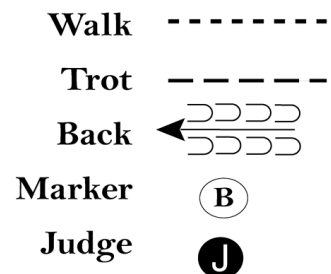
w w w . H o r s e S h o w P a t t e r n s . c o m



Be ready at A.

1. Trot to B.
2. Stop and perform a 1 1/4 turn.
3. Walk to judge.
4. Stop and set up for inspection.
5. When dismissed, perform a 3/4 turn and walk straight away from judge.

Follow the instructions of your ring steward.



[S/2-52]

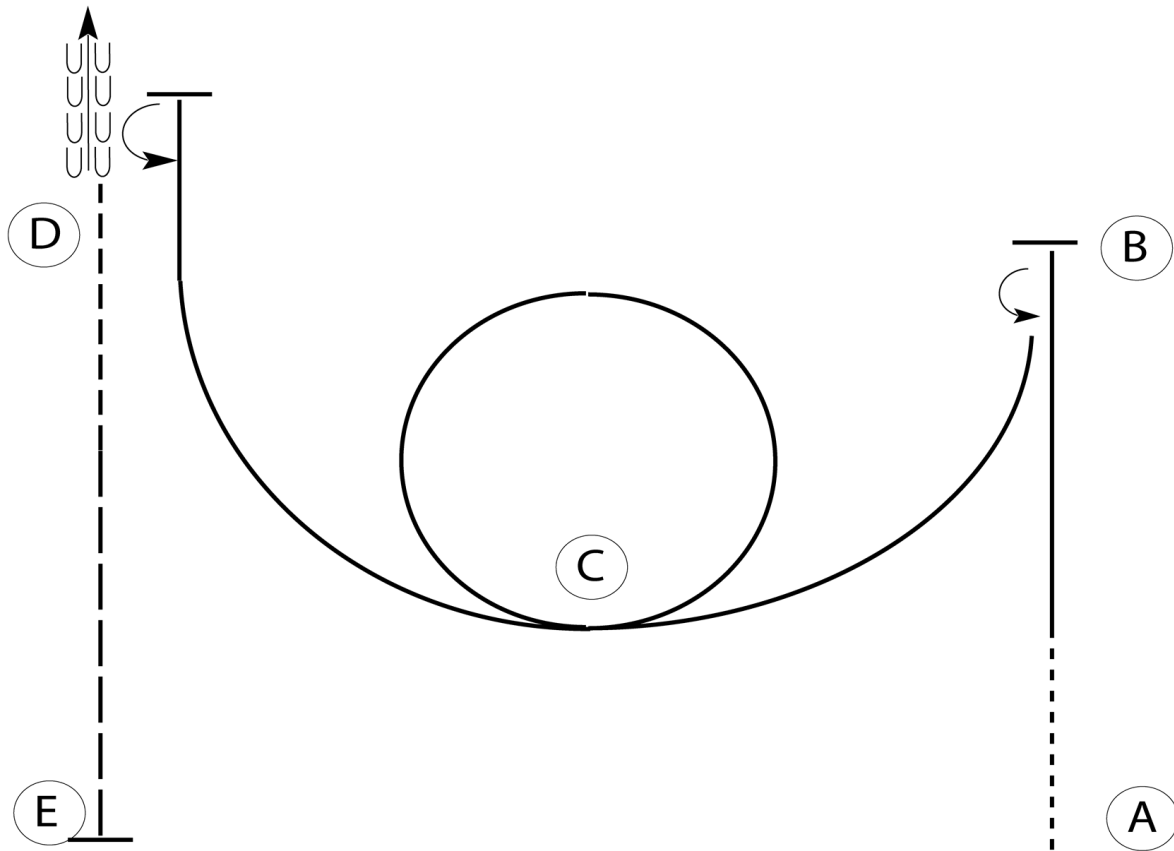
Pattern Provided by:

Judge(s)

PHCO World Show Warm Up

Western Horsemanship (118 119 120 121 123 124 125 126)

Show Date: 05/08-10/2026



Be ready at A.

1. Walk approximately two strides from A.
2. Lope on the left lead to B.
3. Stop and perform a 180 degree turn to the left.
4. Lope on the right lead to C.
5. Lope a circle with speed around C.
6. Slow to a lope and lope past D.
7. Perform a 180 degree turn to the left.
8. Back approximately one horse length.
9. Jog halfway to E.
10. Extend the jog to E.
11. Stop at E.

Walk	-----
Jog	- - - - -
Extended Jog	- - - - -
Lope	—————
Leg Yield	
Lead Change	— / —
Back	← ← ← ← ←
Marker	(B)
Sidepass	← — — — — →

Follow the instructions of your ring steward.

[WH/3-74]

Pattern Provided by:

Judge(s)

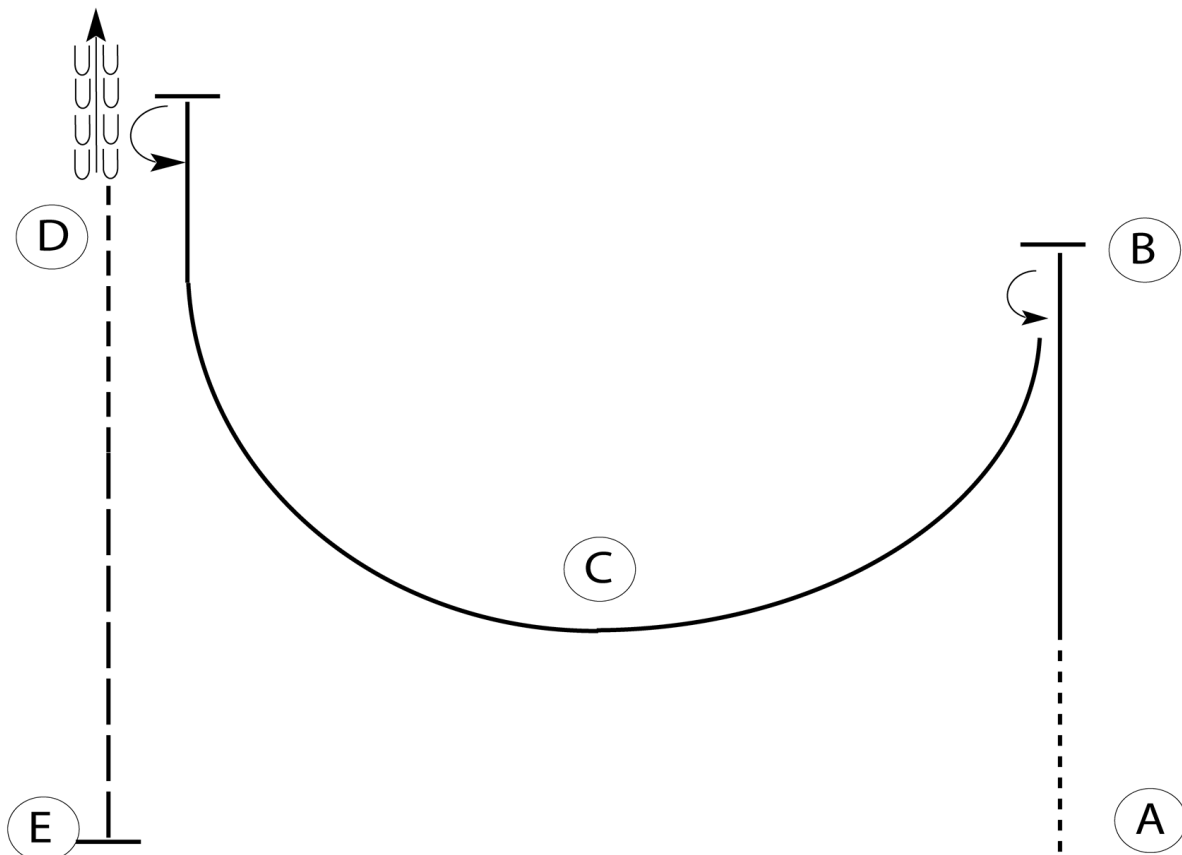
www.HorseShowPatterns.com

www.HorseShowPatterns.com

PHCO World Show Warm Up

Western Horsemanship (122 127)

Show Date: 05/08-10/2026



Be ready at A.

1. Walk approximately two strides from A.
2. Lope on the left lead to B.
3. Stop and perform a 180 degree turn to the left.
4. Lope on the right lead around C and past D.
5. Stop and perform a 180 degree turn to the left.
6. Back approximately one horse length.
7. Jog halfway to E.
8. Extend the jog to E.
9. Stop at E.

Follow the instructions of your ring steward.

Walk	-----
Jog	- - - - -
Extended Jog	- - - - -
Lope	—————
Leg Yield	
Lead Change	— / —
Back	← ⊞ ⊞ ⊞ ⊞ ⊞
Marker	⊞
Sidepass	← — — — — — →

[WH/2-74]

Pattern Provided by:

Judge(s)

w w w . H o r s e S h o w P a t t e r n s . c o m

w w w . H o r s e S h o w P a t t e r n s . c o m